

**PLEASE CHECK WWW.MOLEX.COM FOR LATEST PART INFORMATION**

**Part Number:** [0472220001](#)  
**Status:** **Active**  
**Overview:** serial ata 127 host receptacles  
**Description:** 1.27mm (.050") Pitch Serial ATA Bay Receptacle, Right Angle, SMT, Mid-mount, 0.10µm (4µ") Gold (Au) Plating, with Screw Holes and Pegs, Connector height 4.55mm (.179"), Tray Packaging, 22 Circuits, Lead Free

**Documents:**

[3D Model](#) [Product Specification PS-67492-001 \(PDF\)](#)  
[Drawing \(PDF\)](#) [RoHS Certificate of Compliance \(PDF\)](#)

**Agency Certification**

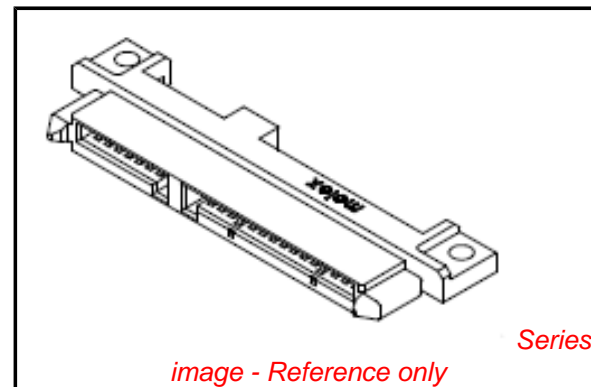
CSA LR 19980  
 UL E29179

**General**

Product Family PCB Receptacles  
 Series [47222](#)  
 Application Board-to-Board  
 Overview [serial ata 127 host receptacles](#)  
 Product Name Serial ATA

**Physical**

Circuits (Loaded) 22  
 Circuits (maximum) 22  
 Color - Resin Black  
 Durability (mating cycles max) 500  
 Flammability 94V-0  
 Glow-Wire Compliant No  
 Guide to Mating Part Yes  
 Keying to Mating Part Yes  
 Lock to Mating Part None  
 Material - Metal Copper Alloy  
 Material - Plating Mating Gold  
 Material - Plating Termination Tin  
 Material - Resin Thermoplastic Elastomer  
 Number of Rows 1  
 Orientation Right Angle  
 PCB Locator Yes  
 PCB Retention Yes  
 PCB Thickness Recommended (in) 0.039 In  
 PCB Thickness Recommended (mm) 1.00 mm  
 Packaging Type Tray  
 Pitch - Mating Interface (in) 0.050 In  
 Pitch - Mating Interface (mm) 1.27 mm  
 Pitch - Term. Interface (in) 0.050 In  
 Pitch - Term. Interface (mm) 1.27 mm  
 Plating min: Mating (µin) 4  
 Plating min: Mating (µm) 0.1  
 Plating min: Termination (µin) 40  
 Plating min: Termination (µm) 1  
 Polarized to Mating Part Yes  
 Polarized to PCB Yes  
 Stackable No  
 Temperature Range - Operating -35°C to +85°C  
 Termination Interface: Style Surface Mount



**EU RoHS**

**ELV and RoHS Compliant**  
**REACH SVHC**  
 Not Reviewed  
**Halogen-Free Status**

**China RoHS**



**Halogen-Free**

**Need more information on product environmental compliance?**

Email [productcompliance@molex.com](mailto:productcompliance@molex.com)  
 For a multiple part number RoHS Certificate of Compliance, [click here](#)

Please visit the [Contact Us](#) section for any non-product compliance questions.

**Search Parts in this Series**

[47222Series](#)

**Electrical**

Current - Maximum per Contact

1.5A

Voltage - Maximum

15V DC

**Material Info****Reference - Drawing Numbers**

Packaging Specification

PK-47222-001

Product Specification

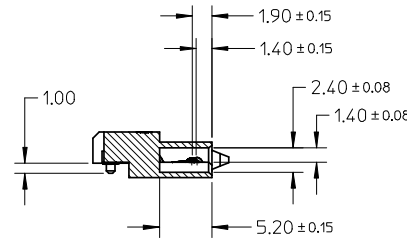
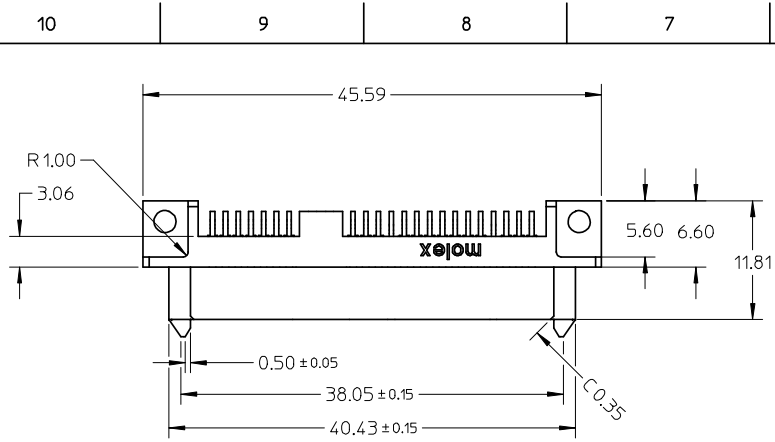
PS-67492-001

Sales Drawing

SD-47222-001

This document was generated on 05/28/2010

**PLEASE CHECK [WWW.MOLEX.COM](http://WWW.MOLEX.COM) FOR LATEST PART INFORMATION**



SECTION A-A

NOTES :

1.MATERIAL :

HOUSING : TERMAL PLASTIC,30% G.F..BLACK,UL94V-0  
 TERMINAL : COPPER ALLOY

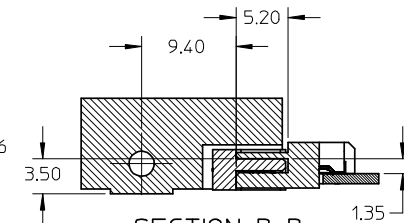
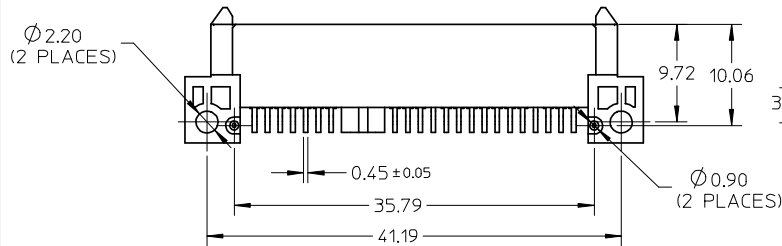
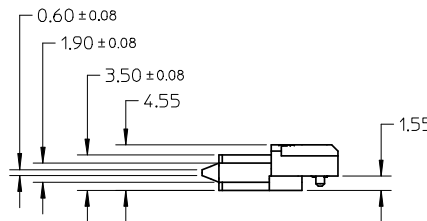
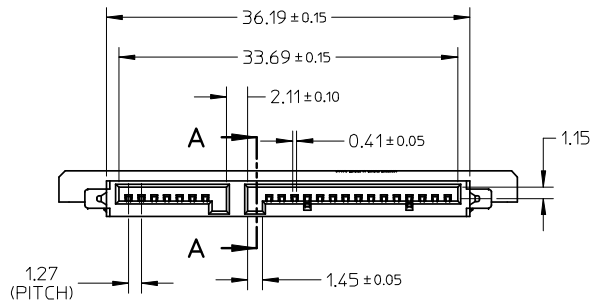
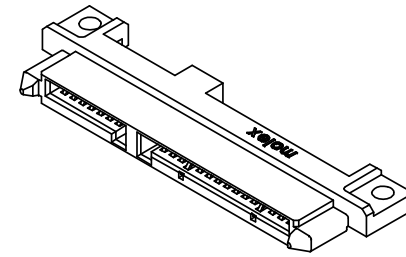
2.TERMINAL PLATING :

CONTACT AREA : GOLD PLATING, 0.1 MICROMETER MIN.  
 SOLDER AREA : TIN PLATING, 1.0 MICROMETER MIN.

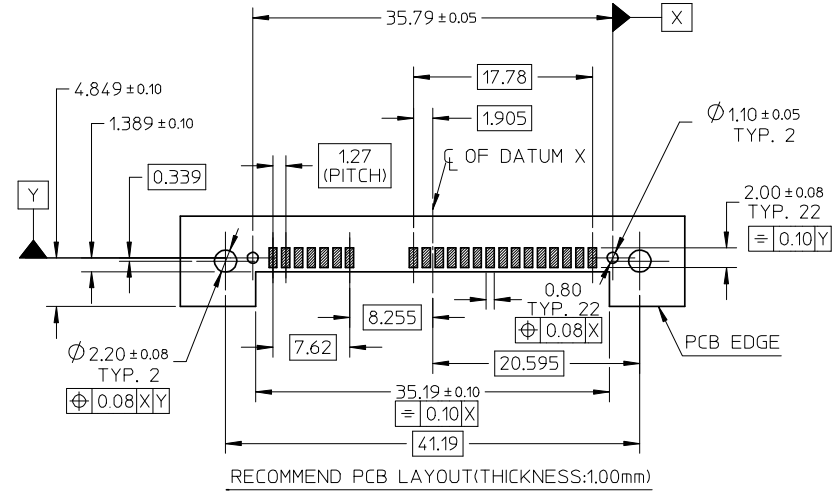
UNDERPLATING : NICKEL PLATING, 1.5 MICROMETER MIN.

3.CO-PLANARITY SPEC. OF PRODUCTION SHOULD BE 0.10mm MAX.

4. PRODUCT SPECIFICATION: PS-67492-001.

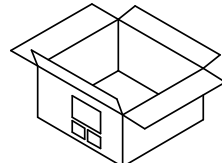
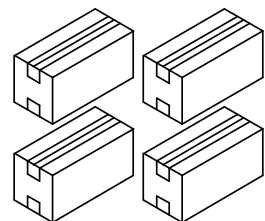
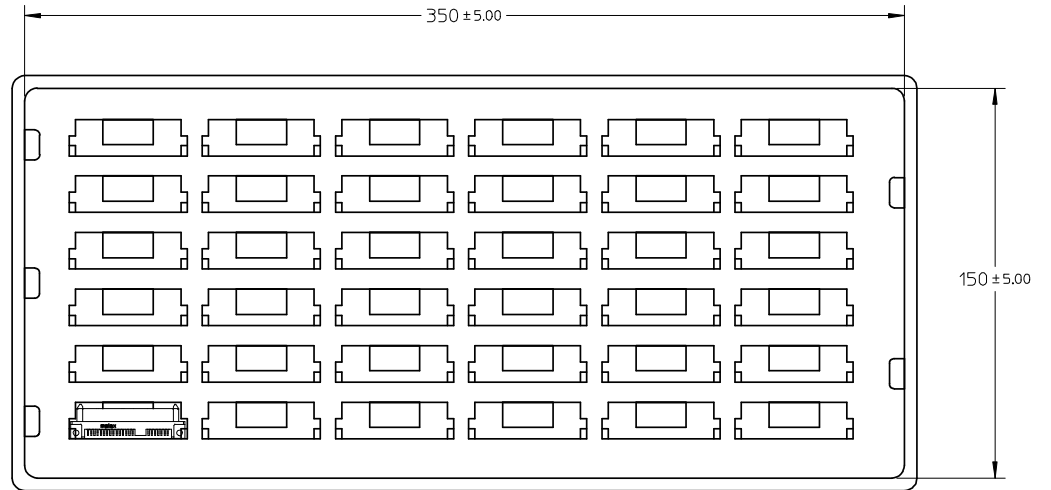
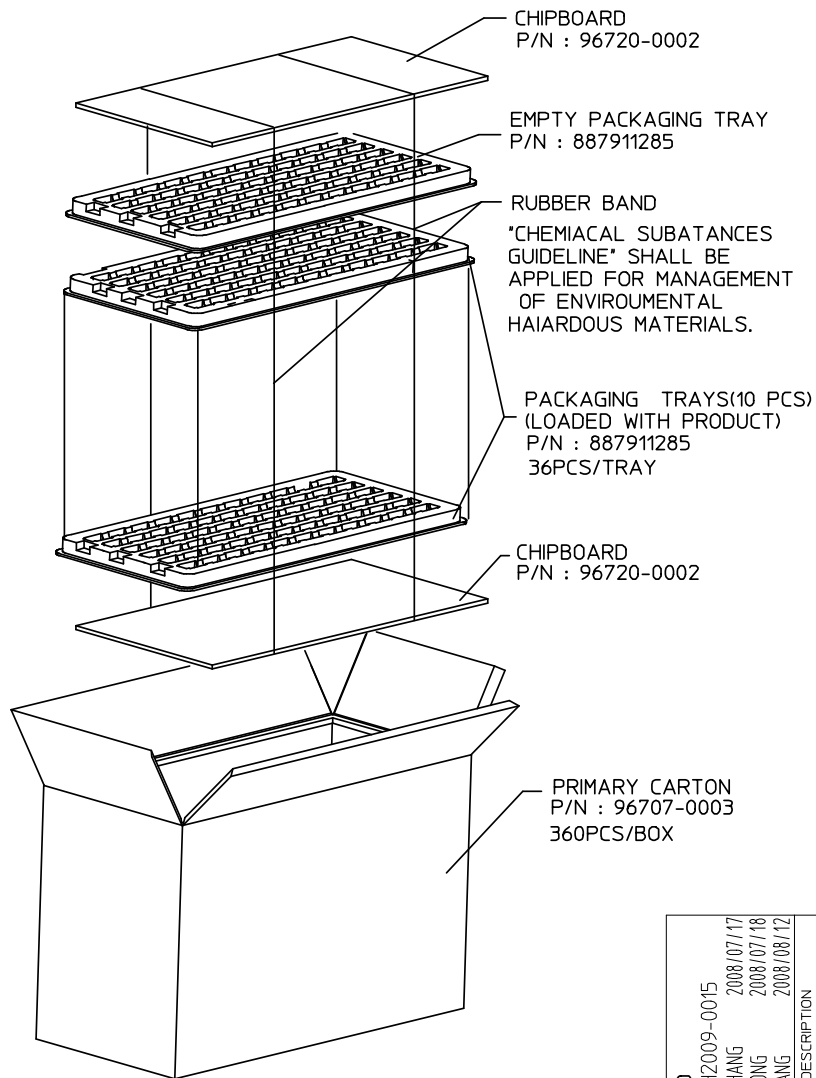


SECTION B-B



RECOMMEND PCB LAYOUT (THICKNESS:1.00mm)

REVISED EC NO: SH2009-0015 DRWN:XQZHANG 2008/07/17 CHKD:XJSONG 2008/07/18 APPR:HWANG 2008/08/12	QUALITY SYMBOLS	GENERAL TOLERANCES (UNLESS SPECIFIED)	DIMENSION STYLE	SCALE	DESIGN UNITS	THIRD ANGLE PROJECTION										
	$\nabla=0$ $\text{C}=0$	<table border="1"> <tr><th>mm</th><th>INCH</th></tr> <tr><td>4 PLACES</td><td>± --- ± ---</td></tr> <tr><td>3 PLACES</td><td>± --- ± ---</td></tr> <tr><td>2 PLACES</td><td>± 0.25 ± .010</td></tr> <tr><td>1 PLACE</td><td>± 0.25 ± .010</td></tr> </table>	mm	INCH	4 PLACES	± --- ± ---	3 PLACES	± --- ± ---	2 PLACES	± 0.25 ± .010	1 PLACE	± 0.25 ± .010	MM ONLY	2:1	METRIC	
	mm	INCH														
	4 PLACES	± --- ± ---														
3 PLACES	± --- ± ---															
2 PLACES	± 0.25 ± .010															
1 PLACE	± 0.25 ± .010															
DESCRIPTION	ANGULAR ± 3 °	DRAWN BY	DATE	TITLE												
REV	DRAFT WHERE APPLICABLE MUST REMAIN WITHIN DIMENSIONS	TXUE	2005/03/28	SATA HDD BAY CONNECTOR SMT TYPE												
		CHECKED BY	DATE	MOLEX INCORPORATED												
		GRMA	2005/03/28	DOCUMENT NO.												
		APPROVED BY	DATE	SHEET NO.												
		YTYAP	2005/03/28	47222-001 SD-47222-001 1 OF 2												
		MATERIAL NO.	47222-0001	THIS DRAWING CONTAINS INFORMATION THAT IS PROPRIETARY TO MOLEX INCORPORATED AND SHOULD NOT BE USED WITHOUT WRITTEN PERMISSION												



SHIPPING CARTON  
P/N : 96708-0005  
1440PCS/BOX

REVISED EC NO: SH2009-0015 DRWN:XZHUANG 2008/07/17 CHKD:XJ SONG 2008/07/18 APPR:HWANG 2008/08/12	QUALITY SYMBOLS ▽=0 ◻=0	GENERAL TOLERANCES (UNLESS SPECIFIED)		DIMENSION STYLE MM ONLY		SCALE 2:1	DESIGN UNITS METRIC	THIRD ANGLE PROJECTION	
		4 PLACES ± --- ± --- 3 PLACES ± --- ± --- 2 PLACES ± 0.25 ± .010 1 PLACE ± 0.25 ± .010	mm INCH ± --- ± --- ± 0.25 ± .010 ± 0.25 ± .010	DRAWN BY TXUE	DATE 2005/03/28	TITLE SATA HDD BAY CONNECTOR SMT TYPE			
		ANGULAR ± 3 °		CHECKED BY GRMA	DATE 2005/03/28	MOLEX INCORPORATED			
		DRAFT WHERE APPLICABLE MUST REMAIN WITHIN DIMENSIONS		APPROVED BY YTYAP	DATE 2005/03/28	MATERIAL NO. 47222-0001	DOCUMENT NO. SD-47222-001	SHEET NO. 2 OF 2	

THIS DRAWING CONTAINS INFORMATION THAT IS PROPRIETARY TO MOLEX INCORPORATED AND SHOULD NOT BE USED WITHOUT WRITTEN PERMISSION